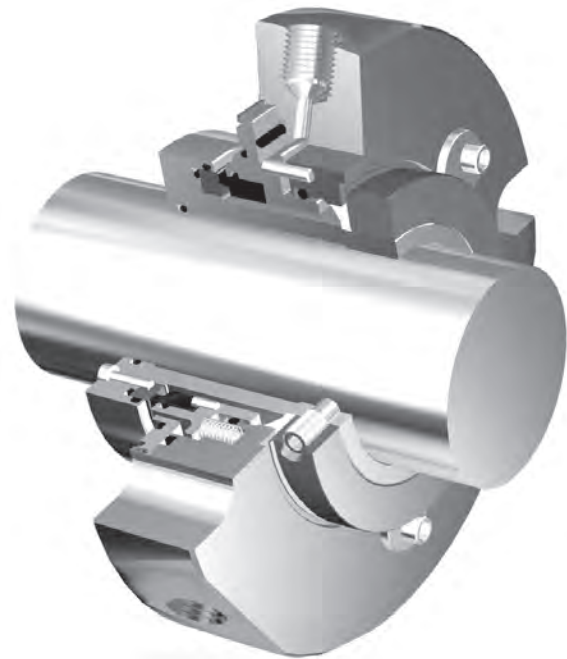
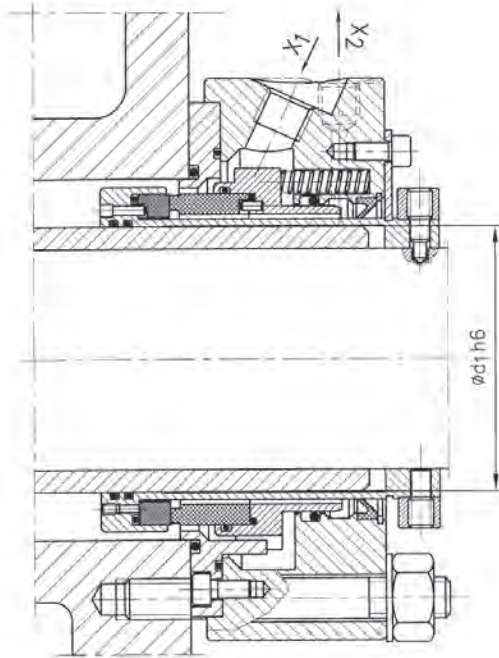


- Single compact (cartridge) mechanical seals
- Balanced
- Dual directional
- Multi-spring

Operating limits*		
Pressure	$p_{max}$	2.5 MPa
Temperature	$t_{max}$	200 °C
Speed	$v_{max}$	25 m/s

\* - see note on page 3.



## Application

Mechanical seals types BD are designed for centrifugal pumps and other equipment with rotating shafts handling hot water mainly used in heat and power plants and other industries that use process hot water.

## Examples of application

Type of seal	Type of pump	Manufacturers of pumps
49 BD	25 D 17	POWEN-WAFAPOMP GROUP
50 BD	10 K 22	POWEN-WAFAPOMP GROUP
60 BD	20 K 37	POWEN-WAFAPOMP GROUP
68 BD	15 K 34	POWEN-WAFAPOMP GROUP
68 BD	25 K 41, 25 K 40	POWEN-WAFAPOMP GROUP
72 BD	12 K 28	POWEN-WAFAPOMP GROUP
80 BD	20 S 28 Wz	POWEN-WAFAPOMP GROUP
80 BD	20 W 39	POWEN-WAFAPOMP GROUP
81(92) BD	W 24 P	POWEN-WAFAPOMP GROUP
85 BD	40 B33, 40 B 36	POWEN-WAFAPOMP GROUP
95(100) BD	35 W 50, 35 W 55	POWEN-WAFAPOMP GROUP
110 BD	30 WK 45	POWEN-WAFAPOMP GROUP
115 BD	35 B 40, 35 B 50	POWEN-WAFAPOMP GROUP
140 BD	40 B 61, 40 B 75	POWEN-WAFAPOMP GROUP
140 BD	40 B 80	POWEN-WAFAPOMP GROUP
140 BD	50 B 40, 50 B 63	POWEN-WAFAPOMP GROUP
145 BD	50 BS 50	POWEN-WAFAPOMP GROUP

## Materials

Part	Code
Stationary and rotating rings	A, B, U, Q
Secondary, flexible seals	E, P, K, V
Spring	G, M
Other metal parts	F, G