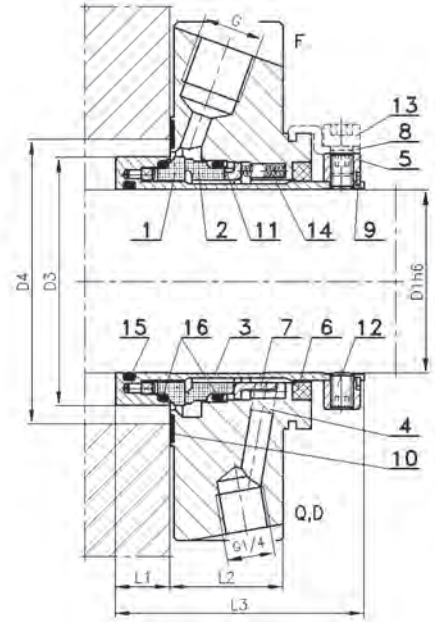
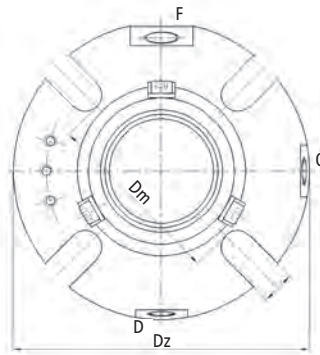
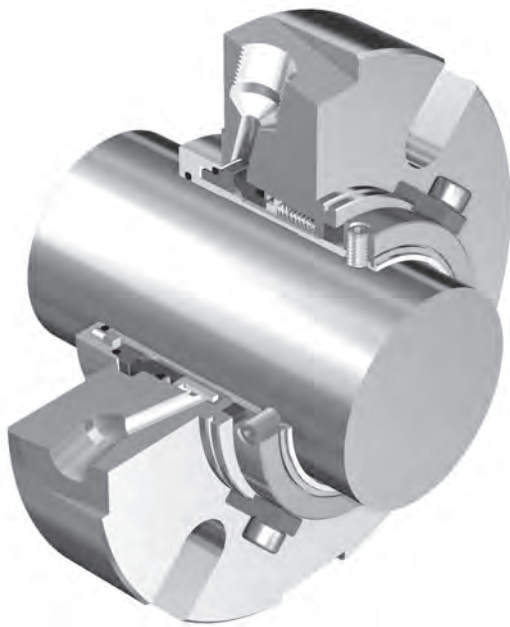


| Operating limits* | | |
|-------------------|-----------|----------|
| Pressure | p_{max} | 2.0 MPa |
| Temperature | t_{max} | 260 °C |
| Speed | v_{max} | 12,5 m/s |

* - see note on page 3.

- Single mechanical seal
- Cartridge (compact) design
- Balanced
- Dual directional
- Multi-spring



Dimensions (mm)

| D1 | D3 | D4min | D4max | Dm | Dz | L1 | L2 | L3 | S | G |
|-----|-------|-------|-------|-------|-----|----|----|----|----|-----|
| 22 | 38.0 | 40.0 | 48.0 | 56.0 | 105 | 15 | 31 | 68 | 14 | 1/4 |
| 25 | 43.0 | 44.0 | 51.0 | 58.0 | 105 | 15 | 31 | 68 | 14 | 1/4 |
| 26 | 46.0 | 47.0 | 52.0 | 65.0 | 105 | 15 | 31 | 68 | 14 | 1/4 |
| 28 | 46.0 | 47.0 | 52.0 | 65.0 | 105 | 15 | 31 | 68 | 14 | 1/4 |
| 30 | 48.0 | 49.0 | 56.0 | 65.0 | 105 | 15 | 31 | 68 | 14 | 1/4 |
| 32 | 49.8 | 51.0 | 57.0 | 67.0 | 105 | 15 | 31 | 68 | 14 | 1/4 |
| 33 | 49.8 | 51.0 | 57.0 | 67.0 | 110 | 15 | 31 | 68 | 14 | 1/4 |
| 35 | 53.0 | 54.0 | 62.0 | 70.0 | 113 | 15 | 31 | 68 | 14 | 3/8 |
| 38 | 56.0 | 57.0 | 66.0 | 75.0 | 123 | 15 | 31 | 68 | 14 | 3/8 |
| 40 | 58.0 | 59.0 | 69.0 | 75.0 | 123 | 15 | 31 | 68 | 16 | 3/8 |
| 43 | 60.5 | 61.5 | 70.5 | 80.0 | 130 | 15 | 31 | 68 | 16 | 3/8 |
| 45 | 62.5 | 64.0 | 73.0 | 80.0 | 130 | 15 | 31 | 68 | 16 | 3/8 |
| 48 | 65.6 | 67.0 | 75.0 | 84.0 | 138 | 15 | 31 | 68 | 16 | 3/8 |
| 50 | 68.0 | 69.0 | 78.0 | 87.0 | 142 | 15 | 31 | 68 | 16 | 3/8 |
| 53 | 72.0 | 73.0 | 87.0 | 97.0 | 147 | 15 | 31 | 68 | 18 | 3/8 |
| 55 | 73.0 | 74.0 | 83.0 | 97.0 | 147 | 15 | 31 | 68 | 18 | 3/8 |
| 60 | 78.0 | 79.0 | 91.0 | 102.0 | 157 | 15 | 31 | 68 | 18 | 3/8 |
| 65 | 83.0 | 84.5 | 99.0 | 109.0 | 163 | 15 | 31 | 68 | 18 | 3/8 |
| 70 | 93.0 | 95.0 | 108.0 | 118.0 | 170 | 19 | 40 | 85 | 18 | 3/8 |
| 75 | 98.0 | 100.0 | 119.0 | 129.0 | 190 | 19 | 40 | 85 | 18 | 3/8 |
| 80 | 105.0 | 107.0 | 124.0 | 135.0 | 195 | 19 | 40 | 85 | 18 | 3/8 |
| 85 | 110.0 | 112.0 | 128.0 | 139.0 | 200 | 19 | 40 | 85 | 22 | 3/8 |
| 90 | 115.0 | 117.0 | 135.0 | 145.0 | 205 | 19 | 40 | 85 | 22 | 3/8 |
| 95 | 119.0 | 120.7 | 137.0 | 148.0 | 210 | 19 | 40 | 85 | 22 | 3/8 |
| 100 | 125.4 | 127.0 | 144.0 | 154.0 | 218 | 19 | 40 | 85 | 22 | 3/8 |

Other dimensions are available as an option. Please contact ANGA.

Legend

- | | |
|---------------------|-------------------|
| 1. Rotating ring | 9. Retaining ring |
| 2. Stationary ring | 10. Flat gasket |
| 3. Sleeve | 11. Thrust ring |
| 4. Cover | 12. Set screw |
| 5. Clamp ring | 13. Hex screw |
| 6. Throttle bushing | 14. Springs |
| 7. Thrust ring | 15. O-ring |
| 8. Distance plate | |

Application

Type BEQ is a general purpose mechanical seal with a wide scope of applications. It is designed for hot and cold water, oils, fuels, poorly aggressive chemicals and other liquids containing solid particles. Due to its compact design, it is suitable for stuffing boxes with packing seals. Type BEQ mechanical seal can be connected to external flushing installation acc. to API 682 Plan 11/61 or 32/61.

Materials

| Part | Code |
|-------------------------------|------------|
| Stationary and rotating rings | A, B, U, Q |
| Secondary, flexible seals | E, P, K, V |
| Spring | M |
| Other metal parts | G |