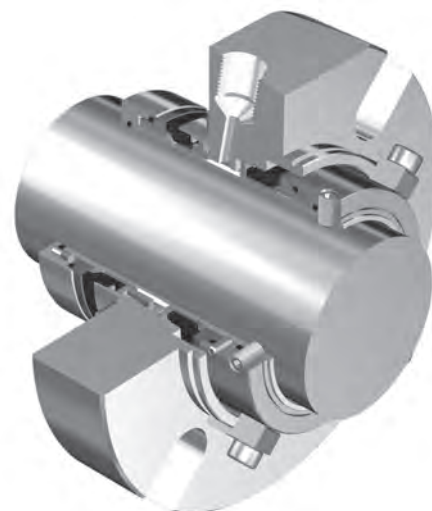
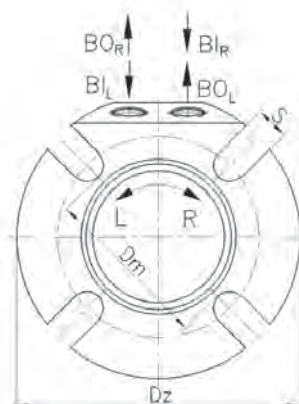
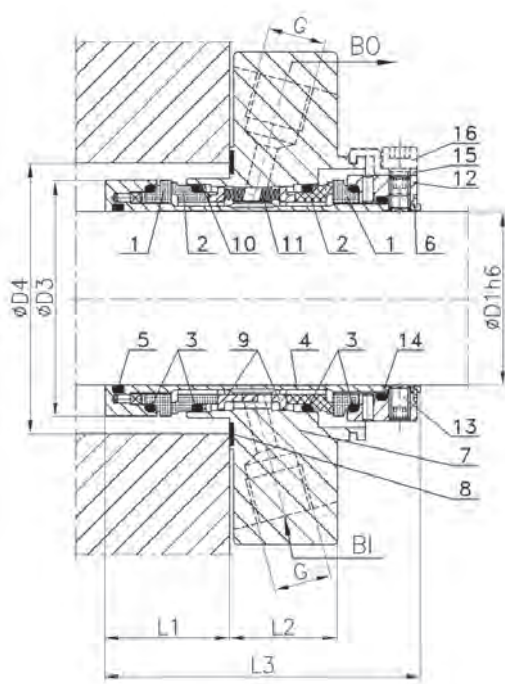


- Double mechanical seal
- Compact (cartridge) design
- Balanced
- Multi-spring
- Dual directional

Operating limits*		
Pressure	p_{max}	1.6 MPa
Temperature	t_{max}	200 °C
Speed	v_{max}	12,5 m/s

* - see note on page 3.



Legend

- | | |
|--------------------|---------------------|
| 1. Rotating ring | 8. Flat gasket |
| 2. Stationary ring | 9. Thrust ring |
| 3. O-ring | 10. Washer |
| 4. Sleeve | 11. Springs |
| 5. O-ring | 12. Clamp ring |
| 6. Retaining ring | 13. Set screw |
| 7. Cover | 14. O-ring |
| | 15. Aligning clamps |
| | 16. Hex screw |

Application

Type BED mechanical seals are designed for process centrifugal pumps and mixers handling fluids containing abrasive particles (ashes, ores, cement and other similar substances), heavy consistence or gluey slurries and they are used mostly in the following industries: petrochemical, refinery, chemical, pulp & paper, sugar and in wastewater treatment plants. It is recommended for mediums hazardous to humans and the environment.

BED type seal requires application of buffer liquid (API Plan 52) or barrier liquid external installation (API Plan 53). Maximum pressure of the buffer fluid is 1.8 MPa. If the temperature of the sealed liquid exceeds 80°C, installation with a cooler should be used.

Materials

Part	Code
Stationary and rotating rings	A, B, U, Q
Secondary, flexible seals	E, P, K, V
Spring	M
Other metal parts	G

Dimensions (mm)

D1	D3	D4min	D4max	Dm	Dz	L1	L2	L3	S	G
22	38,0	40,0	48,0	56	105	36	31	91	14	1/4
25	43,0	44,0	51,0	58	105	36	31	91	14	1/4
26	46,0	47,0	52,0	65	105	36	31	91	14	1/4
28	46,0	47,0	52,0	65	105	36	31	91	14	1/4
30	48,0	49,0	56,0	65	105	36	31	91	14	1/4
32	49,8	51,0	57,0	67	105	36	31	91	14	1/4
33	49,8	51,0	57,0	67	110	36	31	91	14	1/4
35	53,0	54,0	62,0	70	113	36	31	91	14	3/8
38	56,0	57,0	66,0	75	123	36	31	91	14	3/8
40	58,0	59,0	69,0	75	123	36	31	91	16	3/8
43	60,5	61,5	70,5	80	130	36	31	91	16	3/8
45	62,5	64,0	73,0	80	130	36	31	91	16	3/8
48	65,6	67,0	75,0	84	138	36	31	91	16	3/8
50	68,0	69,0	78,0	87	142	36	31	91	16	3/8
53	72,0	73,0	87,0	97	147	36	31	91	18	3/8
55	73,0	74,0	83,0	97	147	36	31	91	18	3/8
60	78,0	79,0	91,0	102	157	36	31	91	18	3/8
65	83,0	84,5	99,0	109	163	36	31	91	18	3/8
70	93,0	95,0	108,0	118	170	46	35	112	18	3/8
75	98,0	100,0	119,0	129	190	46	35	112	18	3/8
80	105,0	107,0	124,0	135	195	46	35	112	18	3/8
85	110,0	112,0	128,0	139	200	46	35	112	22	3/8
90	115,0	117,0	135,0	145	205	46	35	112	22	3/8
95	119,0	120,7	137,0	148	210	46	35	112	22	3/8
100	125,4	127,0	144,0	154	218	46	35	112	22	3/8

Other dimensions are available as an option. Please contact ANGA.