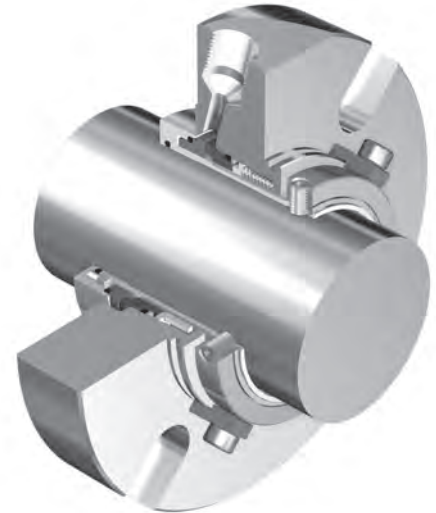
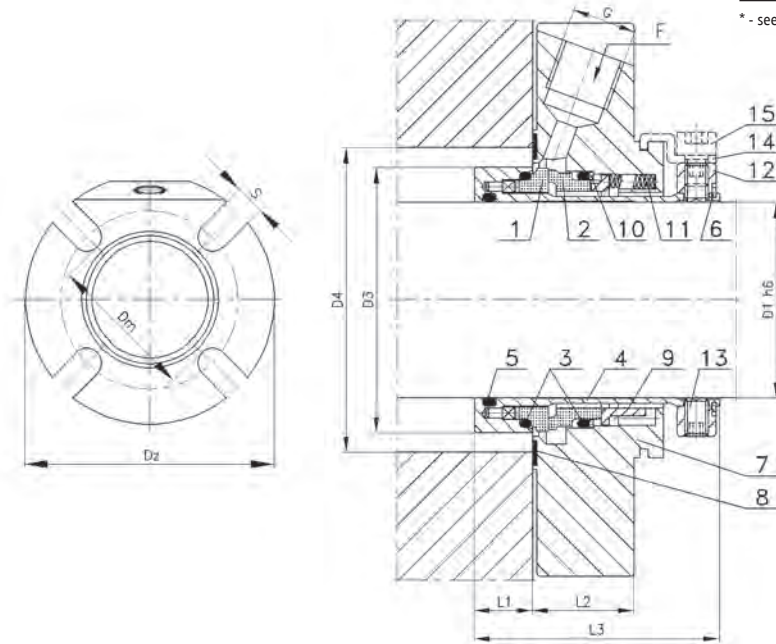


- Single mechanical seal
- Compact (cartridge) design
- Balanced
- Dual directional
- Multispring

Operating limits*		
Pressure	p_{max}	2.0 MPa
Temperature	t_{max}	200 °C
Speed	v_{max}	12,5 m/s

* - see note on page 3.



Legend

- | | |
|--------------------|---------------------|
| 1. Rotating ring | 8. Flat gasket |
| 2. Stationary ring | 9. Thrust ring |
| 3. O-ring | 10. Washer |
| 4. Sleeve | 11. Springs |
| 5. O-ring | 12. Clamp ring |
| 6. Retaining ring | 13. Set screw |
| 7. Cover | 14. Aligning clamps |
| | 15. Hex screw |

Application

BE2 seals are designed for process rotodynamic pumps and other equipment with rotational shafts working with different mediums, such as, e.g.:

- hydrocarbons and oils,
- poorly aggressive chemicals (pH > 5),
- slimes and slurries with abrasive solids (up to 15%),
- water (pure, dirty, wastewater).

Features

- compact design very suitable for stuffing boxes with restricted space,
- easy and quick assembly and disassembly,
- can replace packing seals directly,
- the seal is centered against the pump shaft,
- stationary ring can compensate the shaft, both radial runout and axial moves,
- springs are protected against contact with pumped medium.

Materials

Part	Code
Rotating ring	B, U2, Q
Stationary ring	U2, Q, V, S
Secondary, flexible seals	E, P, K, V
Spring	M
Other metal parts	G

Dimensions (mm)

D1	D3	D4min	D4max	Dm	Dz	L1	L2	L3	S	G
22	38,0	40,0	48,0	56	105	15	28	63	14	1/4
25	43,0	44,0	51,0	58	105	15	28	63	14	1/4
26	46,0	47,0	52,0	65	105	15	28	63	14	1/4
28	46,0	47,0	52,0	65	105	15	28	63	14	1/4
30	48,0	49,0	56,0	65	105	15	28	63	14	1/4
32	49,8	51,0	57,0	67	105	15	28	63	14	1/4
33	49,8	51,0	57,0	67	110	15	28	63	14	1/4
35	53,0	54,0	62,0	70	113	15	28	63	14	3/8
38	56,0	57,0	66,0	75	123	15	28	63	14	3/8
40	58,0	59,0	69,0	75	123	15	28	63	16	3/8
43	60,5	61,5	70,5	80	130	15	28	63	16	3/8
45	62,5	64,0	73,0	80	130	15	28	63	16	3/8
48	65,6	67,0	75,0	84	138	15	28	63	16	3/8
50	68,0	69,0	78,0	87	142	15	28	63	16	3/8
53	72,0	73,0	87,0	97	147	15	28	63	18	3/8
55	73,0	74,0	83,0	97	147	15	28	63	18	3/8
60	78,0	79,0	91,0	102	157	15	28	63	18	3/8
65	83,0	84,5	99,0	109	163	15	28	63	18	3/8
70	93,0	95,0	108,0	118	170	19	32	77	18	3/8
75	98,0	100,0	119,0	129	190	19	32	77	18	3/8
80	105,0	107,0	124,0	135	195	19	32	77	18	3/8
85	110,0	112,0	128,0	139	200	19	32	77	22	3/8
90	115,0	117,0	135,0	145	205	19	32	77	22	3/8
95	119,0	120,7	137,0	148	210	19	32	77	22	3/8
100	125,4	127,0	144,0	154	218	19	32	77	22	3/8

Other dimensions are available as an option. Please contact ANGA.